

BASIC L ^{Led::}
HOR



EXTERIOR | BASICLHOR

Led::

BASIC L HOR

Technical characteristics

Luminaire with an essential design that attributes a versatile and attractive minimal appearance. It offers a multitude of possibilities and versions adaptable to all types of street lighting. Because the greatest achievements start from simple things.

Ideal for lighting streets, avenues, pedestrian areas, parks and gardens.

To install from 4 to 12m high.

Characteristic dimensions: 190 x Ø580 mm.

Maximum power 125W / Maximum flux 19700lm.

Composed of body, top cover and fixing in cast aluminum EN AC 44300, hinge with stainless steel axis between cover and ring integrated in the same cast aluminum guaranteeing excellent robustness. Fixing: side on Ø60mm male terminal.

Manual opening/closing for maintenance without tools, safety stainless steel telescopic rod that keeps the lid open during maintenance operations and silicone sealing gasket.

Approx. weight: 12Kg.

IP66 / IK08 / IK09 / IK10

PMMA or tempered glass lenticular diffuser (flat or lenticular glass).

High efficiency LED system in a circular arrangement. The type and number of LEDs vary depending on the version. There is a version for every need for performance, durability and cost.

Incorporates SNAP system or COOL B dissipating plate for heat dissipation.

Set of independent lenses of our own design in optical PMMA with efficiency of up to 93%. Optionally, rear reflector for flux recovery in injected and aluminized PMMA with a high reflectivity index (95%). The wide range of lenses and reflectors available allows all photometric needs to be optimally solved.

Color temperature: 3000°K or 4000°K. Optionally for areas with environmental protection: amber filter, 2200°K or 2700°K.

FHS < 0.1% (Lenticular closure and flat glass).

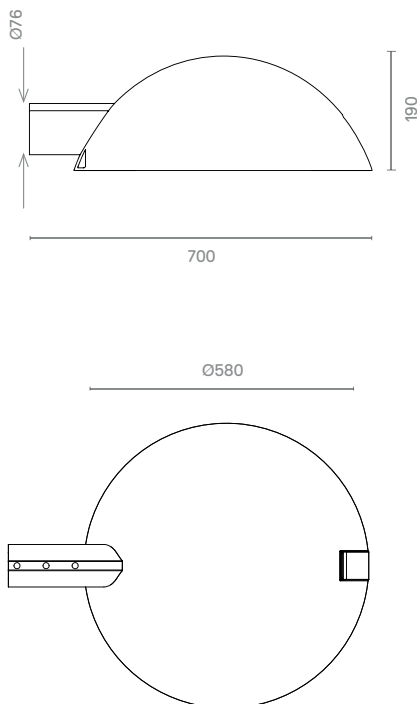
Minimum CRI 70.

Useful life: L90B10 > 100,000 h (consult depending on the type of LED and configuration).

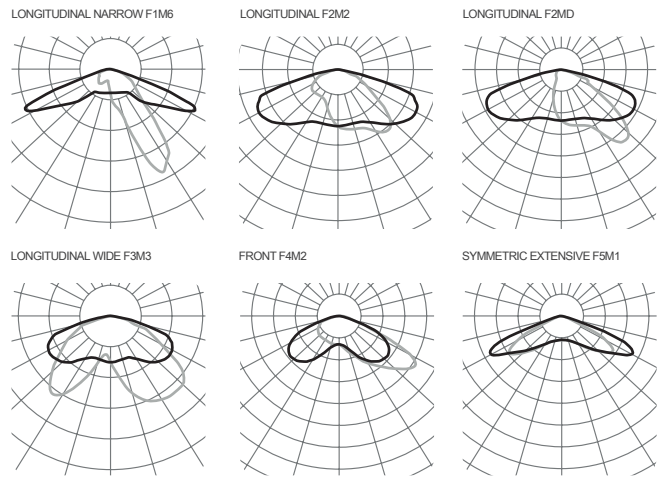
AC voltage 220V-240V ~ 50/60Hz. Class I / Class II optional.

Color Silver Gray G2. Other colors available.

Standards: IEC 60598, IEC 62031, IEC 62471, IEC 60529, EN 55015, IEC 61000, IEC 61547, IEC 62493, IEC 62471, IEC 61437, IEC 62384, EN 50102, CE, ISO9001, ISO14001, ISO45001.



Photometries



Consult the product configurator for other options.

Versions

PCB	3000K		4000K			
	mA	W	lm	lm/W	lm	lm/W
085	350	16	2960	185	3040	190
	500	24	4080	170	4240	176
	680	32	5360	167	5600	175
185	350	38	6660	175	6840	180
	500	54	9180	170	9540	176
	680	74	12060	162	12600	170
32T	350	31	5440	175	5760	185
	500	45	7680	170	8000	177
	1500	135	19200	142	19840	146
32U	350	31	5440	175	5760	185
	500	45	7680	170	8000	177
	750	67	11520	171	11840	176
16M	350	63	9440	149	10080	160
	500	90	12800	142	13760	152
	700	126	17280	137	18560	147
16N	350	63	9440	149	10080	160
	500	90	12800	142	13760	152
	700	126	17280	137	18560	147
16W	350	62	7680	123	8320	134
	500	88	11360	129	12160	138
	1500	266	28320	106	30400	114
16Y	350	62	7680	123	8320	134
	500	88	11360	129	12160	138
	750	133	17920	134	19200	144
20M	350	79	11800	149	12600	159
	500	113	16000	141	17200	152
	700	158	21600	136	23200	146
24N	350	95	14160	149	15120	159
	500	135	19200	142	20640	152
	700	190	25920	136	27840	146

